

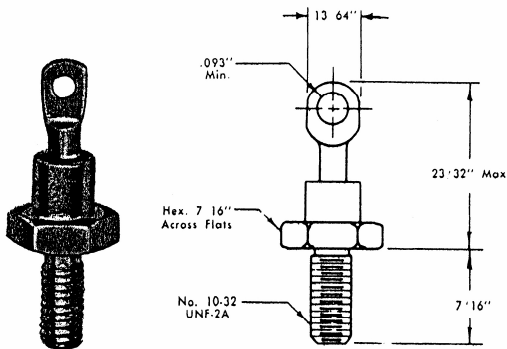
SERIES E4, E7, E8

Silicon Power Rectifiers

Edal Series E power rectifiers are stud mounted DO-4 packages. The silicon junction is carefully fitted within a glass-to-metal hermetically sealed case, reliable operation is assured, even with extreme humidity and under other severe environmental conditions. The series E power rectifiers are completely corrosion resistant. A double diffused, passivated junction technique is utilized to provide stable uniform electrical characteristics. Inherent in their design is very low leakage currents and excellent surge handling capability. Standard, bulk avalanche and fast recovery types in voltage ratings from 50 to 1500 volts PIV are available. Series E power rectifiers are also available in reverse polarity offering extended application parameters. Edal Series E power rectifiers are ideal for use in applications where economy, power capability and reliability are demanding considerations.

Specifications

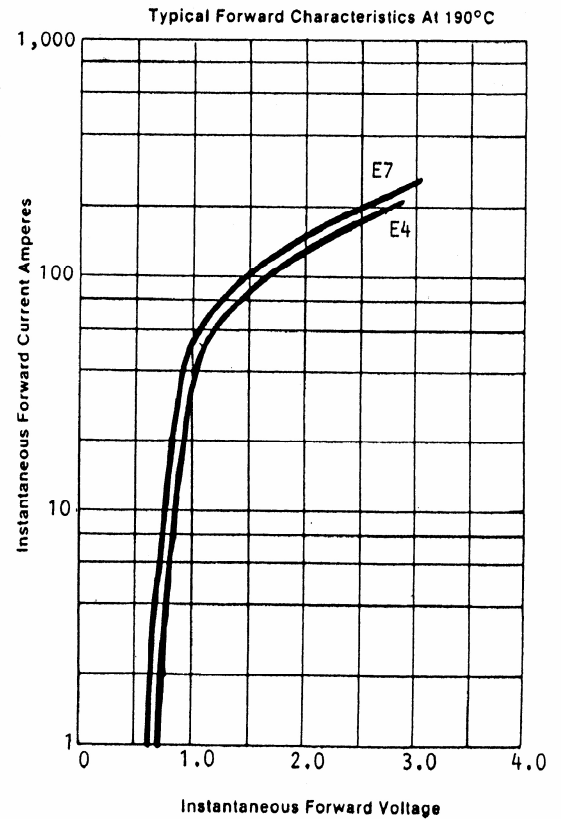
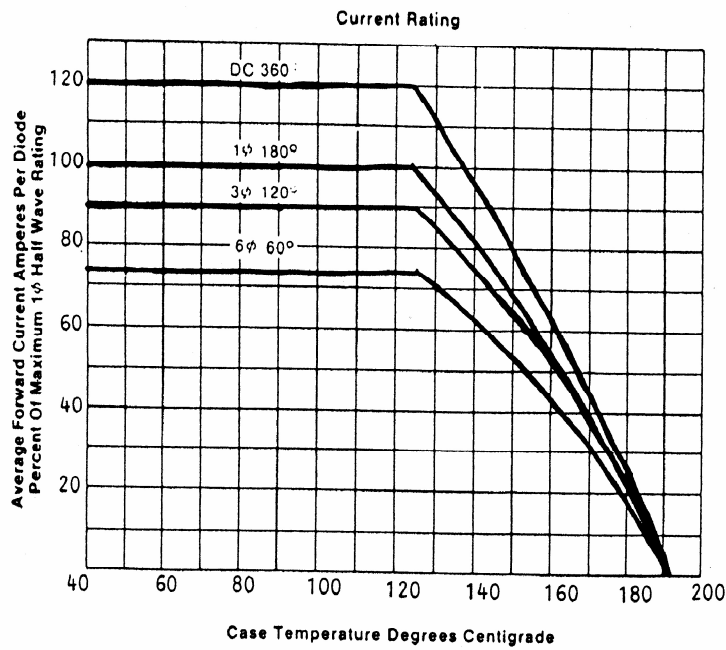
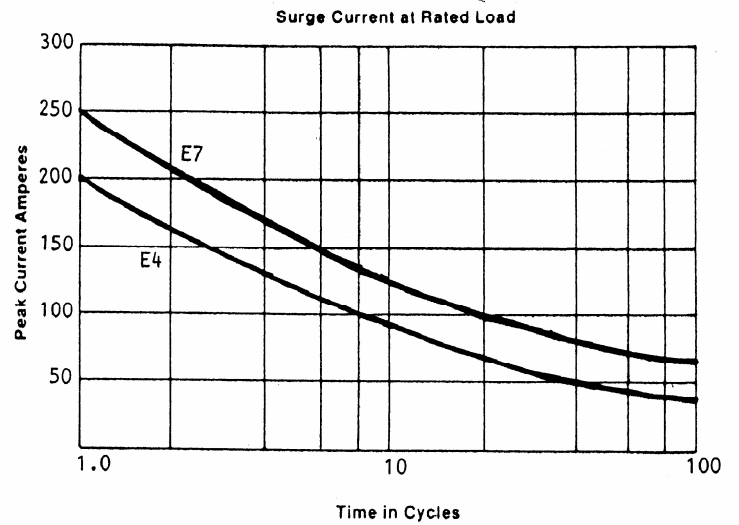
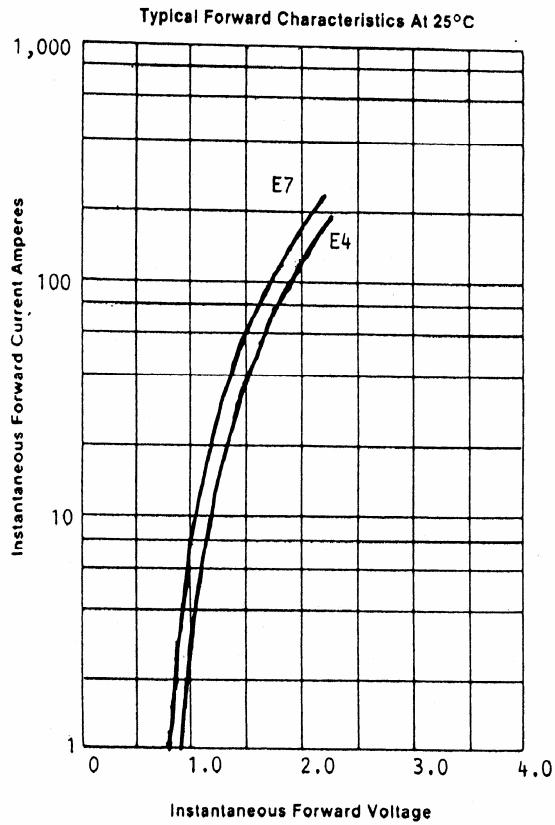
PIV VOLTS	16 AMP	22 AMP	30 AMPS
50	E4A3	E7A3	E8A3
100	E4B3	E7B3	E8B3
200	E4C3	E7C3	E8C3
250	E4D3	E7D3	E8D3
300	E4E3	E7E3	E8E3
350	E4F3	E7F3	E8F3
400	E4G3	E7G3	E8G3
500	E4H3	E7H3	E8H3
600	E4K3	E7K3	E8K3
700	E4M3	E7M3	E8M3
800	E4N3	E7N3	E8N3
1000	E4P3	E7P3	E8P3
1200	E4R3	E7R3	E8R3
1500	E4S3	E7S3	E8S3



CATHODE TO STUD. FOR ANODE TO STUD ADD SUFFIX "R" TO P/N - EX - E7A3R.
 TO DESIGNATE FAST RECOVERY TYPES USE LETTERS "R", "S" OR "T" EX: ES7A3. R=500 nsec, S=200 nsec, T=100 nsec
 FOR AVALANCHE USE SUFFIX 9 IN PLACE OF 3 EX: E7A9
 Maximum Operating Frequency 100,000 Cycles per Second

ELECTRICAL RATINGS

	E4	E7	E8
Maximum Forward Current Single Phase Half Wave Case Temperature O_c I_o AMPS	126 16	131 22	121 30
Maximum Surge Current Single Cycle Amps	200	250	300
Maximum Forward Drop @ 25°C Case I_o Amps V_f Volts	30 1.3	30 1.2	30 1.2
Maximum Reverse Current FCA @ 150°C ma	1.0	1.0	1.0
Maximum I^2T (less than 8ms) Amps ² - Sec	165	250	350
Reverse Power for Bulk Avalanche (Joules)	0.16	0.16	.16
Storage Temperature °C	-55 to +190	-55 to +190	-55 to +190
Operating Temperature °C	-40 to +175	-40 to +175	-40 to 175
Thermal Impedance Maximum (Junction to Case) °C/Watt Maximum	3.0	2.0	3.0
Jedec Style	DO-4	DO-4	DO-4



(203) 467-2591 TEL
 (203) 469-5928 FAX
 Email: Info@edal.com
 Internet: <http://www.edal.com>

EDAL industries, inc.
 51 Commerce St. East Haven, CT 06512